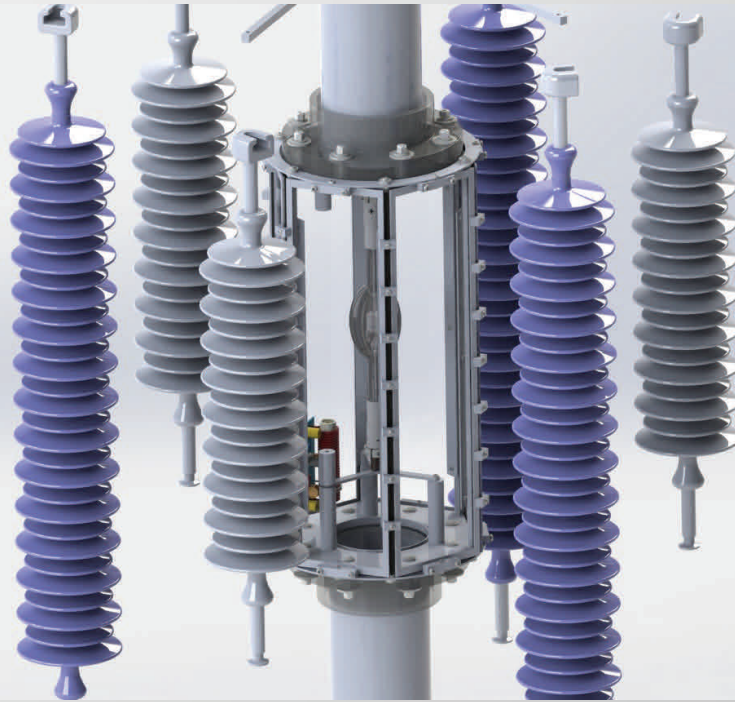


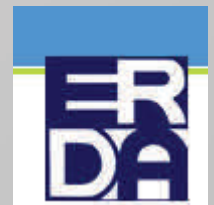
High quality custom solution from design to delivery leveraging existing expertise!



End User:

Electrical Research and Development Association (ERDA)

Electrical Research and Development Association popularly known, as 'ERDA' is a premier Testing Calibration, Certification and Research Organization of India. ERDA (www.erd.org) was established by the Indian Electrical Industries & Utilities with the support of Government of India and Gujarat and has acquired four decades of experience as a service provider. It is a not-for-profit sector organization.



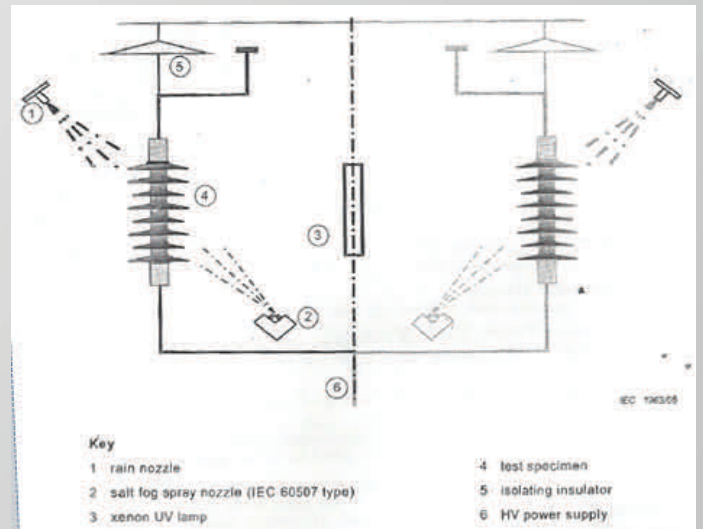
From Idea to Design!

Requirements:

Following IEC: 62217 B.3.2 of stress testing high voltage insulators Sciencetech was sourced to design a solar simulator for irradiation provided by a xenon arc lamp with a nominal output of 6500w and equipped with boron silicate glass filters. The distance between the xenon lamp and test specimens is approximately 480mm

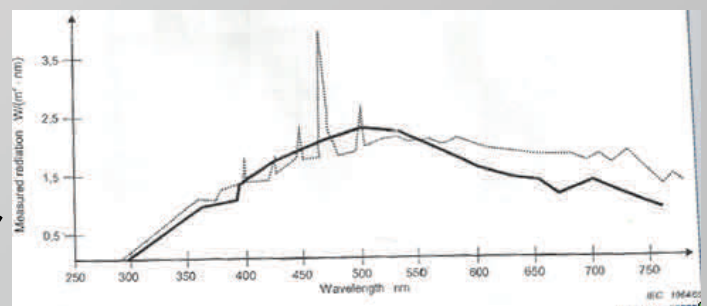
Challenge:

This Solar simulator had to withstand harsh environments of continuous testing with artificial rain containing salt as well as a temperature cycling from low temperatures up to 50c in 15 minutes.



Reliability:

The Solar simulator had to cycle the stress test of the high voltages insulators for a period of 5000 hours with minimal interruptions for maintenance.



Phone: (519) 644 0135
 Fax: (519) 644 0136
 Email: sales@sciencetech-inc.com
 www.sciencetech-inc.com

SCIENCETECH INC.
 1450 Global Drive
 London, Ontario
 Canada, N6N 1R3

Requirements to Design!

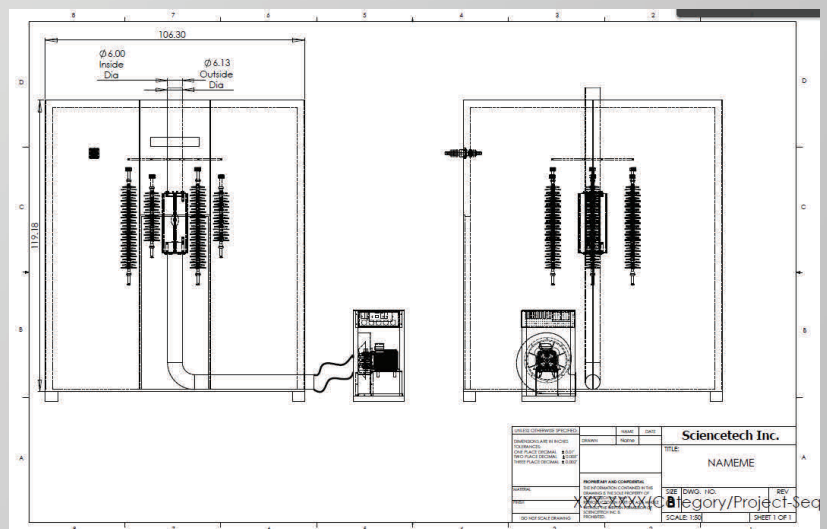
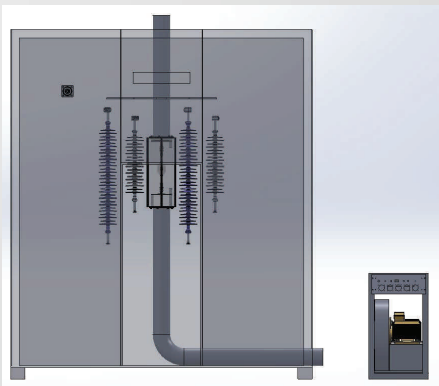
End User Interaction:

During the design phase of this solar simulator Sciencetech collaborated with ERDA for all the relevant and required information to design the new 6500w solar simulator to fit into their existing climatic chamber



Collaboration:

Sciencetech utilizes the most recent CAD software allowing us to interact with ERDA's engineer's with 3D models to ensure we find the perfect solution for the modification of the existing climatic chamber to be retrofitted with Sciencetech final solar simulator solution.



Phone: (519) 644 0135
 Fax: (519) 644 0136
 Email: sales@sciencetech-inc.com
 www.sciencetech-inc.com

SCIENCETECH INC.
 1450 Global Drive
 London, Ontario
 Canada, N6N 1R3

Fabrication!

Mechanical:

Sciencetech utilized its in house machine shop and assembly area that specialize in all materials to fabricate a fully stainless steel electro polished lamp housing that will protect the 6500w xenon arc lamp from the harsh environment during the 6000 hours of testing.

Electrical:

Sciencetech utilized its 6500w xenon arc lamp power supply for this solar simulator with some customization. This project included a PLC for automation and cycle testing of the High voltage insulators. As well as safety interlocks for user protection



Phone: (519) 644 0135
 Fax: (519) 644 0136
 Email: sales@sciencetech-inc.com
 www.sciencetech-inc.com

SCIENCETECH INC.
 1450 Global Drive
 London, Ontario
 Canada, N6N 1R3

Sciencetech Solutions!

Sciencetech tries for continuous improvement with our

- Ability for R&D of Optical, Mechanical, and Electrical
- In House Machining
- In House Assembly
- Would Famous Partners
- A Strong Supply Chain
- Delivery Time's
- Quality Control

